

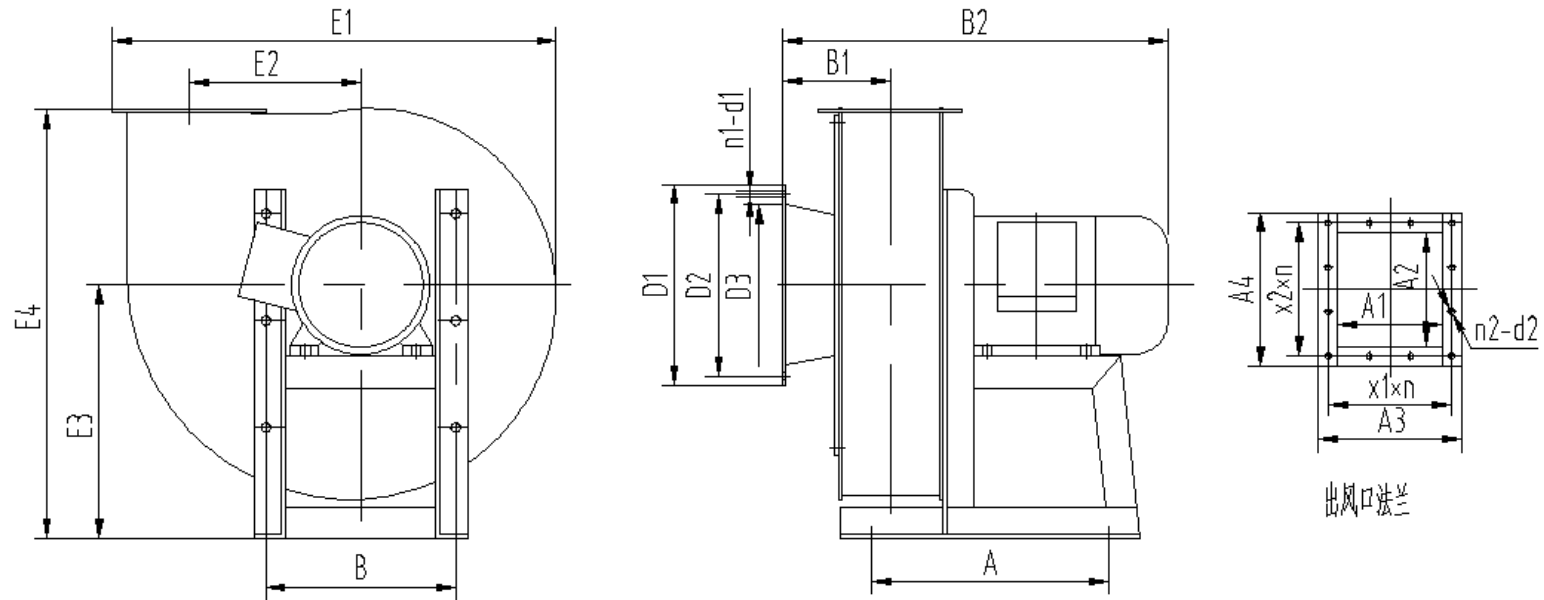
Model 5-29 Centrifugal Blower

Model 5-29 Centrifugal Blower is generally used in the conveying of grain or powder, as well as widely used in the conveying of air or other gas which may not self-ignite, do not contain glutinous matter. The medium temperature is no more than 50°C (no more than 80°C of the highest temperature). The dust or grain matter contained in the medium is no more than 150mg/m³.

Model 5-29 Centrifugal Blower Datasheet

No.	Type	r/min	No.	Flux m ³ /h	Total pressure Pa	motor	
						Type	Power kW
6	A	2920	1	4000	6100	Y160M ₁ -2	11
			2	5000	5700		
			3	5500	5300		
			4	6000	4900		
			5	6500	4400		
			6	7000	3800		
6.4	A	2930	1	3000	7250	Y160M ₂ -2	15
			2	4000	7150		
			3	5000	7000		
			4	6000	6600		
			5	7000	5850		
			6	8000	5100		
6.7	A	2930	1	5000	7500	Y180M-2	22
			2	6000	7250		
			3	7000	7000		
			4	8000	6600		
			5	9000	6000		
			6	10000	5500		
6.9	D	2940	1	6000	7600	Y200L ₁ -2	30
			2	7000	7500		
			3	8000	7300		
			4	9000	7000		
			5	10000	6500		
			6	11000	6000		
7.2	D	2950	1	7000	9750	Y200L ₂ -2	37
			2	8000	9770		
			3	9000	9500		
			4	10000	9100		
			5	11000	8800		
			6	12000	8250		

Shuangcheng Blower



Shape and Installation Size Chart of Model 5-29 A Centrifugal Blower

No.	Inlet flange					Outlet flange								Shape Size						Installation Size			
	D1	D2	D3	Coupling bolt		A1	A2	A3	A4	Coupling bolt				E1	E2	E3	E4	B1	B2	A	B	Anchor bolt hole	
				d1	n1					d2	n2	x1xn	x2xn									Φ	quantity
6	366	340	306	10	12	158	308	218	368	10	12	95×2	85×4	1071	447	595	961	199	768	500	406	15	4
6.4	386	360	326	10	12	170	328	230	388	10	10	100×2	120×3	1136	476	620	1010	213	788	510	406	15	4
6.7	401	370	341	10	12	177	343	237	403	10	10	104×2	124×3	1185	498	655	1063	222.5	871	560	440	15	4
6.9	411	380	351	10	12	182	353	242	413	10	12	106×2	96×4	1221	512	670	1090	232	883	560	440	15	4